

LIFT SYSTEM



LIFT SYSTEM & DETACHABLE DECKS



System Features

- Bolt-on Installation
- Compatible with Class 2-3 pickup trucks
- Easy to operate 2-way control pendant
- 2,500lbs loading and dump capacity
- Easy deck disconnect pins for deck interchangeability
- High quality epoxy prime and powder coated finish

SYSTEM SPECIFICATIONS

	6.5'	8'
DIMENSIONS	58" W X 78" L	58" W X 96" L
WEIGHT	346LBS	388LBS
LIFT ARM	ELECTRIC POWERED HYDRAULIC	
LIFT CAPACITY	2,500LBS	
HOOK-UP	T-BAR LIFT ARM	

Specifications are subject to change with or without notice. Products not warranted for any specific purpose.

LIFT SYSTEM / AVAILABLE DECKS

PowerDeck



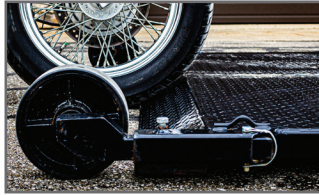
Common Uses

- Motorcycle Hauling
- Material Transport
- Recreational Hauling
- Snow & Ice Management
- Off-Roading

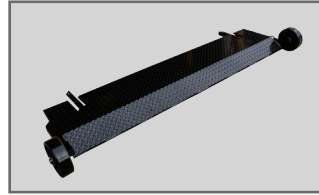
FEATURES



Easy Access Tie Downs



45° Rear Approach Angle



Deck Extensions Available



2,500 Lift Capacity

DumpDeck



Common Uses

- Landscaping
- Material Transport
- Snow & Ice Management
- Hunting/Fishing/Camping
- DIY

FEATURES



2-Way Dump/Ramp Gate



Stake Pockets/Rub Rails



Sloped Sides



Extendable Deck Feet



Common Uses

- Motorcycle Hauling
- Material Transport
- Recreational Hauling
- Snow & Ice Management
- Off-Roading

Deck Features

- 2,500lbs loading and dump capacity
- Compatible with Class 2-3 pickup trucks
- 45° Rear approach angle
- Up to ~55° dump angle
- Easy access tie-down points
- Structural steel construction
- Capable of hauling three wheeled motorcycles, choppers, or up to two full sized motorcycles
- High quality epoxy prime and powder coated finish
- To be paired with the AmeriDeck™ Lift System



PowerDeck



Fully Detachable Decks



Easy Access Tie Downs



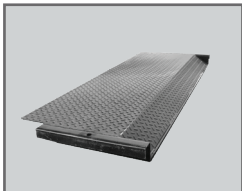
Adjustable Deck Legs



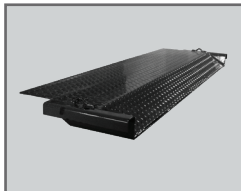
45° Approach Angle



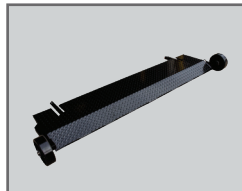
OPTIONS



Standard 12.5" Deck Extension



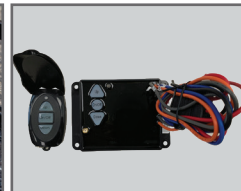
Extended 18" Deck Extension



Sportdeck 11.75" Deck Extension



Bolt-On Wheel Chocks



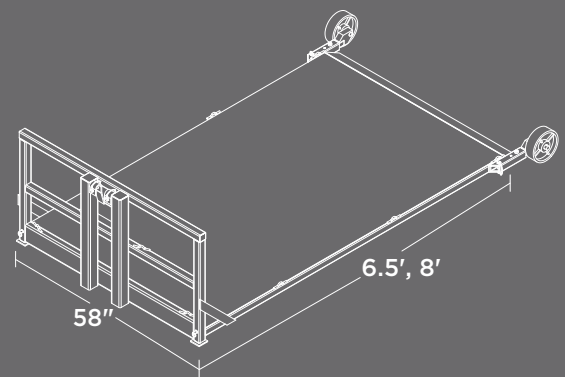
Wireless Remote



Bulkhead Extendable Tie Downs

DECK SPECIFICATIONS

	6.5'	8'
DIMENSIONS	58" W X 78" L	58" W X 96" L
WEIGHT	462LBS	520LBS
FLOOR	1/8" DIAMOND PLATE	
RAMP	4" RAMP WITH 45° LOADING ANGLE	
TIE DOWN LOOPS	(3) PER SIDE	
CROSS MEMBERS	CHANNEL ON 12" CENTERS	
DUMP ANGLE	-55°	-45°



Specifications are subject to change with or without notice. Products not warranted for any specific purpose.



Common Uses

- Landscaping
- Material Transport
- Snow & Ice Management
- Hunting/Fishing/Camping
- DIY

Deck Features

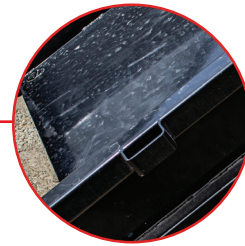
- 2,500lbs loading and dump capacity
- Compatible with Class 2-3 pickup trucks
- 8' DumpDeck™ can fit full 8'x4' sheets of plywood
- Engineered 2-way dump/ramp gate design
- Up to ~55° dump angle
- Sloped sides for easy clean out
- Angled sides with stake pockets
- Structural steel construction
- High quality epoxy prime and powder coated finish
- To be paired with the AmeriDeck™ Lift System



DumpDeck



Fully Detachable Decks



Stake Pockets



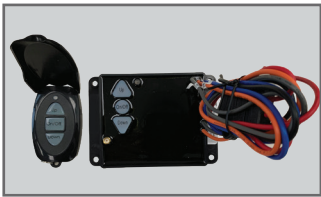
Adjustable Deck Legs



2-Way Dump/Ramp Tailgate



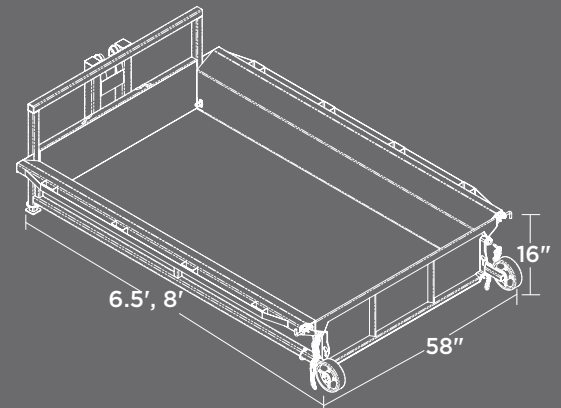
OPTIONS



Wireless Remote

DECK SPECIFICATIONS

	6.5'	8
INTERNAL DIMENSIONS	53" W X 78" L	53" W X 96" L
CAPACITY LEVEL HEAPED	.87 CUBIC YD 1.85 CUBIC YD	1 CUBIC YD 2.4 CUBIC YD
WEIGHT	650LBS	750LBS
DUMP ANGLE	~55°	~45°
FLOOR	1/8" STEEL SHEETING	
TAILGATE	16" H DUAL ACTING TAILGATE W/ RAMP	
D-RINGS	(4) ON WALLS	
STAKE POCKETS	24" ON CENTER	



Specifications are subject to change with or without notice. Products not warranted for any specific purpose.